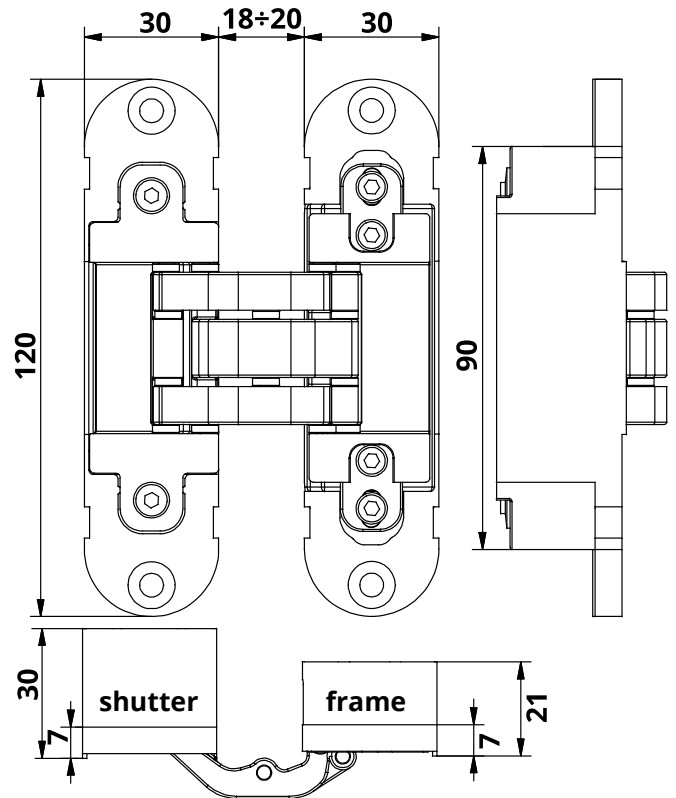


TECHNICAL SHEET INVISACTA IN300

Concealed hinge for flush doors



Technical features

- The hinge is suitable to be installed on doors and frames in wood and aluminium.
- The hinge can be fitted with door closing devices.
- CE certified - European Assessment Document 020001-01-0405
- Fireproof certified 30' - UNI-EN 1634-2
- Material of hinge: ZAMAK.
- Aluminum caps available to conceal the screws.
- The hinge can be fitted right and left and grants the reversibility of the door, both on vertical and horizontal axis.
- Movement on 7 junction fulcrums equipped with bearing in plastic HT with high resistance and long life.
- Equipped with 3-way adjustments that can be settled by means of just one 3 mm hex-spanner.
- Compatible with millings of IN303 and IN305 hinges.
- Patented EP-B- 2719851.

Technical data

Capacity*	60 Kg.
Hinge height	120 mm
width shutter side	30 mm
width frame side	30 mm
Depth shutter side	30 mm
Depth frame side	21 mm
Door opening angle	180°
Side adjustment	± 1 mm
Height adjustment	± 2 mm
Depth adjustment	± 1 mm

* Tested with 90x210 cm doors - For more information on the number of hinges to be used according to the weight and dimension of the door, please see the loading charts available on the website www.otlav.it.

Accessories

Aluminium jig	MU300120G002
Nylon jig	MUINV500G002
Door alignment device AI300120	
Caps GC300010	Same finishing than hinges
Fixing plate	NP120040H502

Finishing

The entered images are only on illustrative purpose.
Features and colours may differ from what represented.
Other finishing on demand.

IN300120V702

Satinized silver plated



IN300120H002

Zinc plated



IN300120VN02

Satinized Nickel Plated



IN300120BO02

Bronze plated



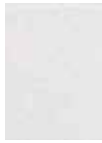
IN3001209N02

Matt Black plastified



IN3001209P02

White matt RAL9016

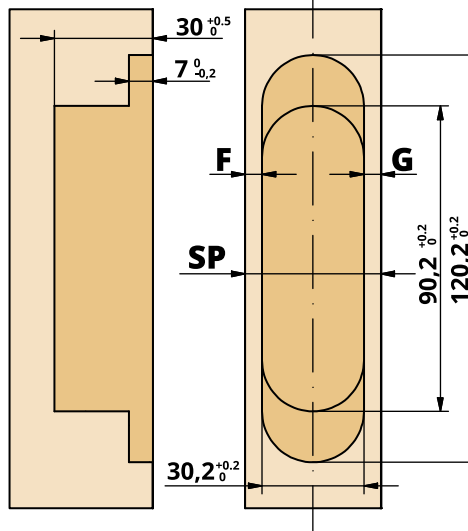


IN300120VO02

Polished gold



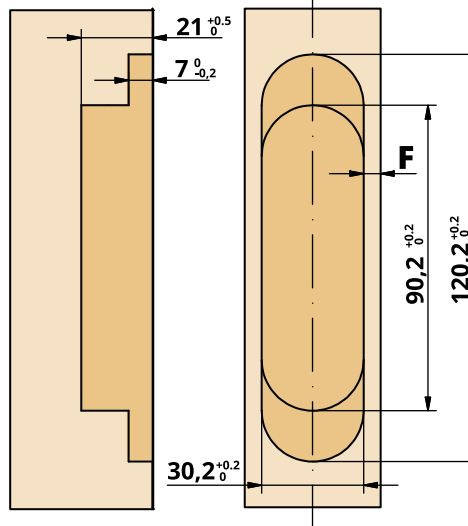
Milling on the shutter



mm

SP	F	G
36	3	3
37	3,5	3,5
38	4	4
39	4,5	4,5
40	5	5
41	5,5	5,5
42	6	6
43	6,5	6,5
44	7	7

Milling on the frame



Caps

